

# SWITCHES ROCKER

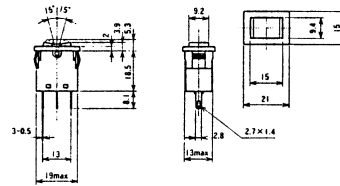
## STANDARD ROCKER SWITCHES

### SPECIFICATIONS:

<b>Current Rating:</b>	5A @ 125V AC, 3A @ 250V AC
<b>Initial Contact Resistance:</b>	DC 2.5V-1A, 20 Meg ohm (Max.)
<b>Insulation Resistance:</b>	500V DC 100 Meg ohm (Min.)
<b>Dielectric Strength:</b>	1500V AC for 1 minute
<b>Contact Material:</b>	Copper - Silver Plate
<b>Terminal Material:</b>	Copper - Silver Plate
<b>Terminal Type:</b>	Solder

Part No.	Type	Action	Actuator
30-10086	SPDT	ON - ON	Black Nylon
30-10088	SPDT	ON OFF ON	BlackNylon



Mounting Hole:  
 0.51" x 0.75" @ .04" Panel Thickness  
 0.51" x 0.76" @ .08" Panel Thickness

### SPECIFICATIONS:

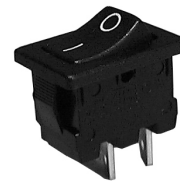
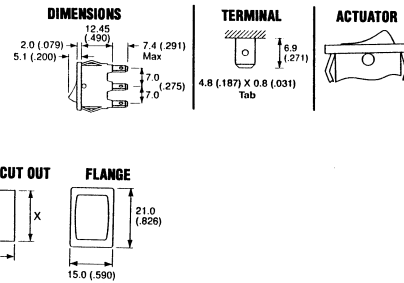
<b>ELECTRICAL RATINGS:</b>			
10A	125-250V AC 65C	UL E45221	CSA LR10990
1/4HP	125V AC 1/2HP 250V AC		UL/CSA
10 (4)A	250V AC T90		VDE 44375
25A	Inrush		EN61058-1
10A	28V DC		Approvals N/A
<b>MATERIALS:</b>			
<b>Body:</b>	Nylon 6.6		
<b>Actuator:</b>	Nylon 6.6		
<b>Contact Gap:</b>	3mm (.118)		
<b>Contact Material:</b>	Silver		

Part No.	Type	Action	Actuator
30-860	SPST	ON - OFF	Black Nylon
30-16844	SPDT	ON - ON	Black Nylon

## MINIATURE POWER ROCKER SWITCHES

For applications such as computers, audio, medical, office instrument and appliance products.

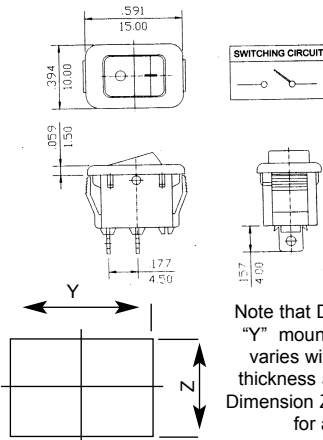


## Micro Rocker Switches

Electrical Ratings:  
 SPST snap action Rocker.  
 6A @125 VAC or 3A @250 VAC (UL)  
 3A@250 VAC (CQC)  
 Rating: 3A@125 VAC, 250 VAC pending for VDE  
 Initial Contact resistance: 20m ohm Max.  
 Insulation Resistance: 100 Ohm @500 VDC  
 Dielectric Strength: 1,000 VAC for 1 minute  
 Electrical/mechanical life: 10,000 cycles  
 Temperature range: 0 to 88 degrees centigrade  
 Base: Nylon66, UL rated 94V-2 min.  
 Spring: Piano wire  
 Stationary contact: Silver Alloy



A very small Rocker with a good "feel" in the action, excellent for small appliances, battery operated portable devices. This is a SPST switch and the black and white activators are marked with the "universal" digital "1" and "0" to indicated ON and OFF. The red actuator is plain, no markings.



Note that Dimension "Y" mounting hole varies with panel thickness as below. Dimension Z is 9.2mm for all.

Part No.	Type	Action	Actuator
30-870	SPST	On-Off	White (with o - markings in black)
30-872	SPST	On-Off	Black (with o - markings in white)
30-874	SPST	On-Off	Red (plain, no marking on actuator)



### SPECIFICATIONS:

<b>ELECTRICAL RATINGS:</b>			
16A	125-250V AC 65C	UL E45221	
1HP	30V DC	UL/CSA	
1/2A	125V AC	UL/CSA	
10A	125-250V AC 65C	CSA LR10990	
10 (6)A	250V AC T100	VDE 75171	
75A	Inrush	EN61058-1	
10A	28V DC	Approvals N/A	
<b>MATERIALS:</b>			
<b>Body:</b>	Nylon 6.6		
<b>Actuator:</b>	Nylon 6.6		
<b>Contact Gap:</b>	3mm (.118)		
<b>Contact Material:</b>	Silver Alloy		

Part No.	Type	Action	Actuator
30-250	DPST	ON - OFF	Black Nylon
30-16705	DPST	ON - OFF	White Nylon w/Black Legend

## DOUBLE POLE MINIATURE POWER ROCKER SWITCHES

